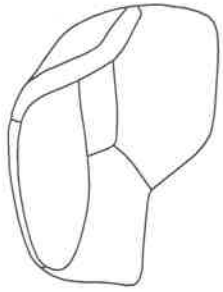






# ASSEMBLY INSTRUCTION

Ax1	
Bx1	Fx2 
Cx1	Gx2  M6x16mm
Dx1	Hx2  M6x25mm
Ex6	Ix1  25x10x10mm
M6x10mm	

